

# Piston-/Rod Seal XSPRS19C

## Function:

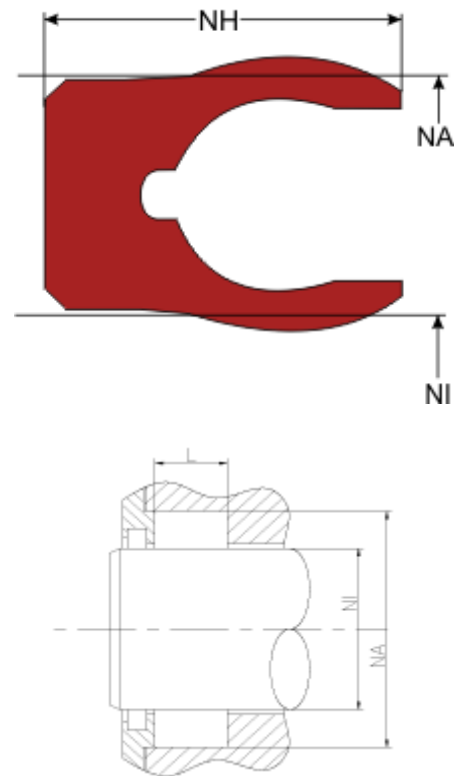
Symmetrical piston/rod seals are designed to seal the pressurized hydraulic fluid against the atmosphere or between two pressurized spaces.

## Features:

- Symmetrical, single acting piston/rod seal, no interference on the ID or OD.
- Preload effected through Helicoil-spring which ensures high pressure on the rounded sealing lips.
- Excellent static and dynamic sealing performance.
- Excellent sealing performance in low and high pressure ranges.
- Useable for short and long stroke lengths.
- Low friction in dry running or poor lubrication conditions.
- Also used for gas applications.
- Negligible tendency to "stick-slip" effect, small break away loads.

## Application:

Reciprocating and swivelling pistons in hydraulic cylinders, plungers.  
Chemical and pharmaceutical industry, aggressive fluids and high temp.  
Max. dyn. pressure 400 bar, speed 1 m/s.



## Seal housing recommendation:

Tolerances	[mm]	
L < 10 mm	+ 0,2	
L e 10 mm	+ 0,3	
Ø NA (rod groove)	H10	
Ø NI (rod diam.)	f 8	
Ø NA (cylinder diam.)	H9	
Ø NI (piston groove)	h10	

Surface roughness	Rtmax [µ]	Ra [µ]
Bottom of groove	d 6,3	d 1,6
Face of groove	d 15	d 3

Sliding surface	Rtmax [µ]	Ra [µ]
PU, elastomeres	d 2,5	d 0,1 – 0,5
PTFE	d 2	d 0,05 – 0,3

## Installation:

Installation in open housing, snap-in installation possible in special designed housings.

We recommend to maintain a nominal width/seal height ration (CS/NH) above 1/1,5.