

Rotary Seal XSR04A

Function:

Rotary seals are designed to seal the pressurized hydraulic fluid against the atmosphere, preventing leakage and pollution of the environment or to transfer liquids and/or gases from a stationary part into or out of rotating machinery.

Features:

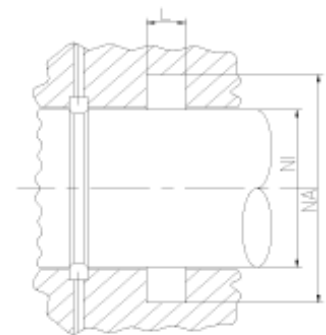
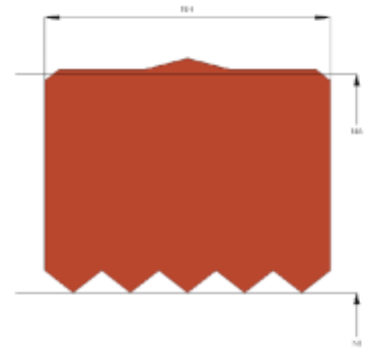
- Asymmetrical, double acting rotary seal, designed with interference on the OD which provides a good static fit in the groove.
- Additional sealing edge on the OD for better static sealing.
- Dynamic sealing on the ID.
- Excellent static and dynamic sealing performance.
- Low friction.

Application:

Slow moving shafts, pivoting movements, revolving distributors, swivel joints.

Universal rotary seal for minor work loads.

Max. pressure 160 bar, max. speed 0.2 m/s.



Seal housing recommendation:

Tolerances	[mm]	
L	+ 0.2	
Ø NA	H 8	
Ø NI	f 8	

Surface roughness	Rtmax [μ]	Ra [μ]
Bottom of groove	≤ 6.3	≤ 1.6
Face of groove	≤ 15	≤ 3

Sliding surface	Rtmax [μ]	Ra [μ]
PU, elastomeres	≤ 2.5	$\leq 0.1 - 0.5$
PTFE	≤ 2	$\leq 0.05 - 0.3$

Installation:

Snap-in installation.