

Function:

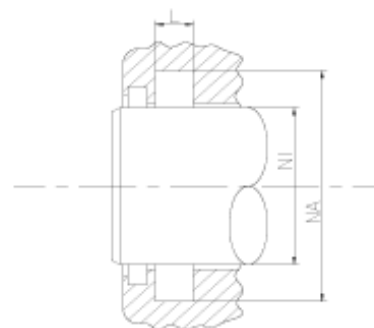
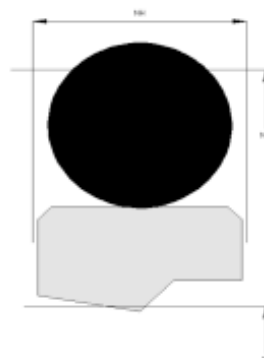
Rod seals are designed to seal the pressurized hydraulic fluid against the atmosphere, preventing leakage and pollution of the environment.

Features:

- Asymmetrical, single acting rod seal, designed with interference of the O-Ring on the OD and slight interference of the PTFE glide ring on the ID.
- Excellent sealing performance in low and high speeds.
- Suitable for positioning functions.
- Negligible tendency to “stick-slip” effect, good sliding properties.
- Low break-away load after long standstills.
- Excellent gap extrusion resistance due to the free space on the trailing side.

Application:

Reciprocating rods in hydraulic cylinders, plungers.
Dynamic seals in hydraulic systems.
Max. pressure 400 bar, max. speed 10 m/s.
Tandem arrangement possible.

**Seal housing recommendation:**

Tolerances	[mm]	
L < 10mm	+0.2	
L ≥ 10mm	+0.3	
Ø NA	H10	
Ø NI	f 8	

Surface roughness	Rtmax [μ]	Ra [μ]
Bottom of groove	≤ 6.3	≤ 1.6
Face of groove	≤ 15	≤ 3

Sliding surface	Rtmax [μ]	Ra [μ]
PU, elastomeres	≤ 2.5	≤ 0.1 - 0.5
PTFE	≤ 2	≤ 0.05 - 0.3

Installation:

Snap-in installation.

Attention: PTFE glide rings need calibration after installation!