

# Backup Rings

## XSBUR12

### Function:

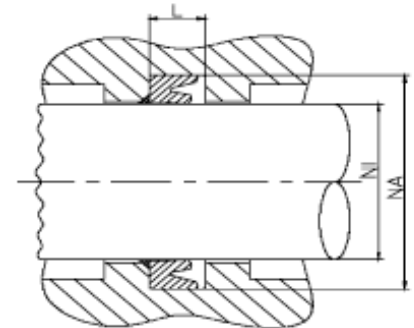
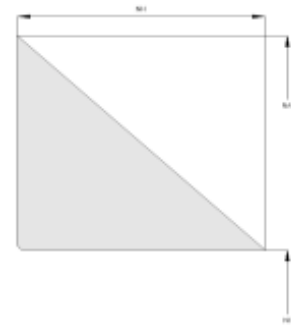
Back-up rings do not have a sealing function. They are designed to prevent elastic sealing elements such as O-Rings or Quad Rings of gap extrusion.

### Features:

- Triangular Anti Extrusion Ring for Rod applications
- Special housing designs required.
- Reduced gap extrusion of the elastomer seal and/or higher pressures up to 700bar possible
- Available as split and non-split version.

### Application:

Dynamic and static applications in reciprocating pistons and rods in hydraulic cylinders, plungers, etc.  
Unfavourable tolerances and wide gap dimensions.



### Seal housing recommendation:

Tolerances	[mm]	
L < 10 mm	+ 0.2	
L ≥ 10 mm	+ 0.3	
Ø NA	H10	
Ø NI	f8	

Surface roughness	Rtmax [µ]	Ra [µ]
Bottom of groove	≤ 6.3	≤ 1.6
Face of groove	≤ 15	≤ 3

Sliding surface	Rtmax [µ]	Ra [µ]
PU, elastomeres	≤ 2.5	≤ 0.1 - 0.5
PTFE	≤ 2	≤ 0.05 - 0.3

### Installation:

Snap-in installation