

# Rotary Seal XSOS02A

## Function:

Rotary seals are designed to seal the pressurized hydraulic fluid against the atmosphere, preventing leakage and pollution of the environment or to transfer liquids and/or gases from a stationary part into or out of rotating machinery.

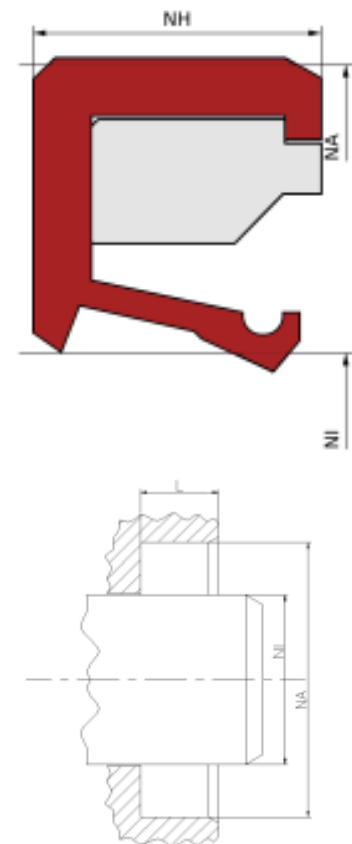
## Features:

- The profile is designed with interference on the OD which provides a good static fit, preventing the entry of humidity and other contamination via the outside diameter.
- Additional dust lip for preventing the sealing lip of dirt.
- Tight seat in the housing and an additional retainer ring in hard plastic or Aluminium/Steel ensures that the seal is held in place.
- Tension spring for increasing the bonding force.
- Not suitable for high pressure from the trailing side.

## Application:

Pumps, electric motors, swiveling cylinders, etc.

Max. pressure 0,5 bar, max. speed: PU/POM 5 m/s; NBR/POM 10m/s; FPM/PTFE 25m/s.



## Seal housing recommendation:

Tolerances	[mm]	
L	+ 0.2	
Ø NA	H 8	
Ø NI	f 8	

Surface roughness	Rtmax [ $\mu$ ]	Ra [ $\mu$ ]
Bottom of groove	$\leq 6.3$	$\leq 1.6$
Face of groove	$\leq 15$	$\leq 3$

Sliding surface	Rtmax [ $\mu$ ]	Ra [ $\mu$ ]
PU, elastomeres	$\leq 2.5$	$\leq 0.1 - 0.5$
PTFE	$\leq 2$	$\leq 0.05 - 0.3$

## Installation:

press-in installation; separate installation of retainer ring and elastomer part possible.