

Flange Seal XSFL08

Function:

The flange seal XSFL08 is a symmetric, spring energized seal for axial sealing applications. The geometry is leant against profile PRS19.

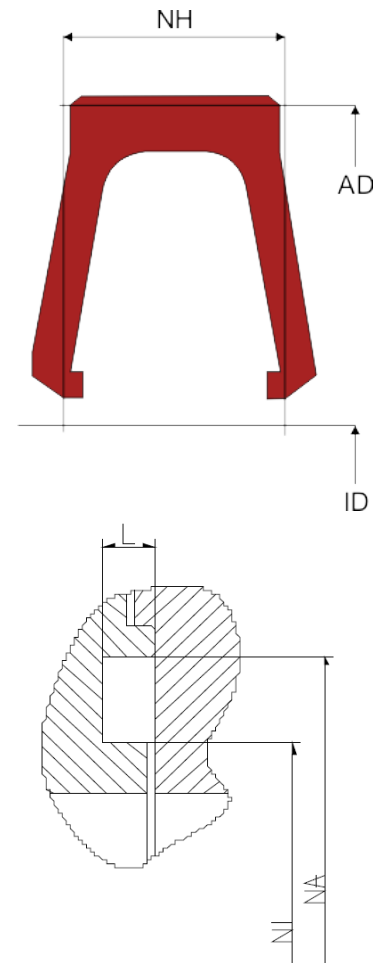
Features:

- Especially designed for pressure from inside.
- Preload effected through V-spring which ensures high pressure on the sealing lips.
- Excellent static and dynamic sealing performance.
- Excellent sealing performance in low and high pressure ranges.
- Simple mounting.
- Compact and simple grooves.

Application:

Static sealing (e.g. flanges or fittings), chemical industry, Oil&Gas, aviation, rotary joints.

NOTE: The inside diameter is limited to about 27mm minimum and cross section of 10mm maximum. For dimensions out of the limits production from 2 sides or special tools might be necessary!



Seal housing recommendation:

Tolerances	[mm]	
L < 10 mm	+ 0,2	
Ø NA (rod groove)	H 8	
Ø NI (rod diam.)	f 8	

Surface roughness	Rtmax [µ]	Ra [µ]
Bottom of groove	d 6,3	d 1,6
Face of groove	d 15	d 3

Sliding surface	Rtmax [µ]	Ra [µ]
PU, elastomeres	d 2,5	d 0,1 – 0,5
PTFE	d 2	d 0,05 – 0,3

Installation:

Snap-in installation.