

# Flange Seal XSFL06

## Function:

The flange seal *XSFL06* is a symmetric, spring energized seal for axial sealing applications. The geometry is leant against profile *XSPRS19C*.

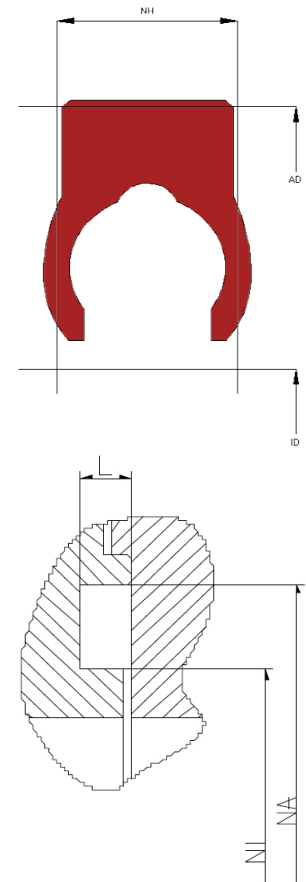
## Features:

- Especially designed for pressure from inside.
- Preload effected through Helicoil-spring which ensures high pressure on the sealing lips.
- Excellent static and dynamic sealing performance.
- Excellent sealing performance in low and high pressure ranges.
- Wide application ranges – especially suitable for gas and vacuum applications.
- Simple mounting.
- Compact and simple grooves.

## Application:

Static sealing (e.g. flanges), chemical industry, Oil&Gas, aviation, rotary joints

**NOTE:** inside diameter is limited to about 27 mm minimum and cross section of 10 mm maximum. For dimensions out of the limits production from 2 sides or special tools might be necessary!



## Seal housing recommendation:

Tolerances	[mm]	
L	+0.2	
Ø NA	H 8	
Ø NI	f 8	

Surface roughness	Rtmax [µ]	Ra [µ]
Bottom of groove	≤ 6.3	≤ 1.6
Face of groove	≤ 15	≤ 3

Sliding surface	Rtmax [µ]	Ra [µ]
PU, elastomeres	≤ 2.5	≤ 0.1 - 0.5
PTFE	≤ 2	≤ 0.05 - 0.3

## Installation:

Snap-in installation.