

# Piston Seal XSPS03

## Function:

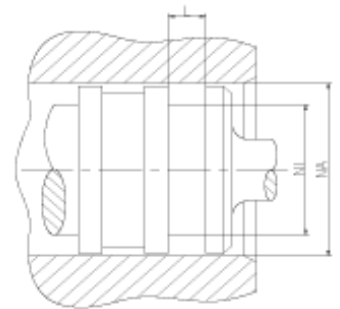
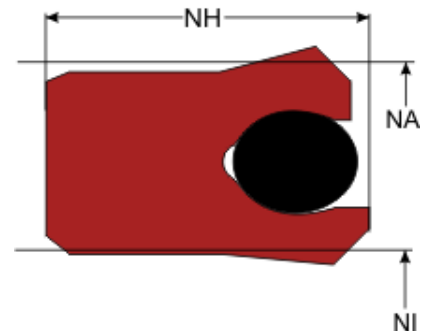
Piston seals are designed to seal the pressurized hydraulic fluid against the atmosphere or between two pressurized spaces.

## Features:

- Asymmetrical, single acting piston seal, designed with interference on the ID which provides a good static fit in the groove.
- Dynamic sealing lip shorter than static lip to avoid drag pressure.
- Increased preload due to an additional O-Ring
- Excellent static and dynamic sealing performance.
- Excellent performance in all pressure ranges.
- Used for short, pulsating strokes.
- No reverse leakage when changing direction.
- Recommended for positioning or holding under pressure.

## Application:

Reciprocating pistons in hydraulic cylinders, plungers, push rods, fittings, etc. Switching or clamping functions.



max. speed	max. pressure	material
0.5 m/s	400 bar (40 MPa)	all HPU typen
0.7 m/s	400 bar (40 MPa)	HPU94 GM
0.5 m/s	160 bar (16 MPa)	all Elastomer types

For higher speed or pressure please ask our technical department.

## Seal housing recommendation:

Tolerances	[mm]
L < 10 mm	+0.2
L ≥ 10 mm	+0.3
∅ NA	H9
∅ NI	h10

Surface roughness	Rtmax [μ]	Ra [μ]
Bottom of groove	≤ 6.3	≤ 1.6
Face of groove	≤ 15	≤ 3

Sliding surface	Rtmax [μ]	Ra [μ]
PU, elastomeres	≤ 2.5	≤ 0.1 - 0.5
PTFE	≤ 2	≤ 0.05 - 0.3

## Installation:

Snap-in installation.