

Wiper Ring XSWRPO2

Function:

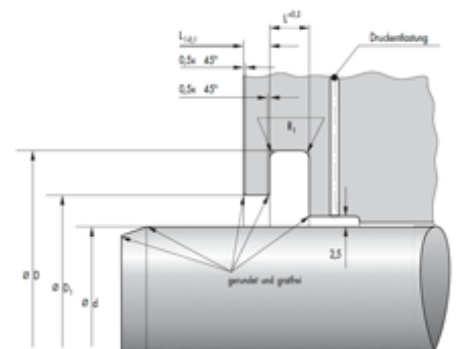
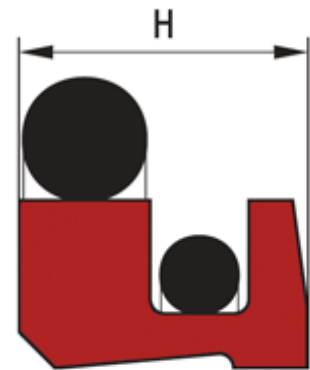
Wipers are designed to keep dust, dirt, sand and others off the rod and the sealing and guiding elements, avoiding abrasive damage caused by external contamination.

Features:

- Double acting wiper for improved overall sealing.
- During operation well adjustable and freely positionable.
- “Stick-slip”-free, frei, low friction.
- Drill for pressure relief between seal and wiper is to be provided.
- Alternativ materials for short stroke and high frequency operation on request.
- Particularly suitable for large diameter.

Application:

Reciprocation rods in hydraulic cylinders, swivelling and coiling rods, plungers.



Seal housing recommendation:

Tolerances	[mm]	
L < 10 mm	+ 0.2	
L ≥ 10 mm	+ 0.3	
Ø NA	H11	
Ø NI	f 8	

Surface roughness	Rtmax [µ]	Ra [µ]
Bottom of groove	≤ 6.3	≤ 1.6
Face of groove	≤ 15	≤ 3

Sliding surface	Rtmax [µ]	Ra [µ]
PU, elastomeres	≤ 2.5	≤ 0.1 - 0.5
PTFE	≤ 2	≤ 0.05 - 0.3

Installation:

Easy to install due to kidney-shaped deforming. Fitting tool necessary for diameters larger than 100 mm up to 150 mm. Installation in pierced groove not possible for diameters less than 100 mm.