

# Backup Rings

## XSBUR08

### Function:

Back-up rings do not have a sealing function. They are designed to prevent elastic sealing elements such as O-Rings or Quad Rings of gap extrusion.

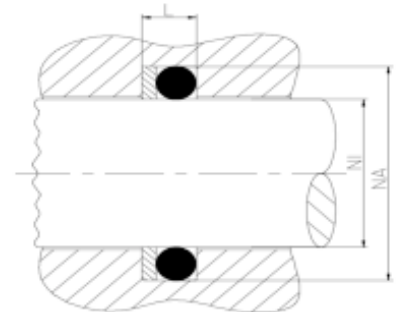
### Features:

- Normally cut at an angle for easy installation, but also available as non-split version.
- Low dynamic friction.
- Low break-away forces after long standstills.
- Activated back-up rings reduce gap extrusion and prevent twisting of the seal in the groove.

### Application:

Dynamic and static applications in reciprocating pistons and rods in hydraulic cylinders, plungers, etc.

Unfavourable tolerances and wide gap dimensions.  
Intensely pulsating pressures and pressure change.



### Seal housing recommendation:

Tolerances	[mm]	
L < 10 mm	+ 0.2	
L ≥ 10 mm	+ 0.3	
Ø NA	H8	
Ø NI	h9	

Surface roughness	Rtmax [µ]	Ra [µ]
Bottom of groove	≤ 6.3	≤ 1.6
Face of groove	≤ 15	≤ 3

Sliding surface	Rtmax [µ]	Ra [µ]
PU, elastomeres	≤ 2.5	≤ 0.1 - 0.5
PTFE	≤ 2	≤ 0.05 - 0.3

### Installation:

Snap-in installation; split or unsplit