

Static Seal XSR35A

Function:

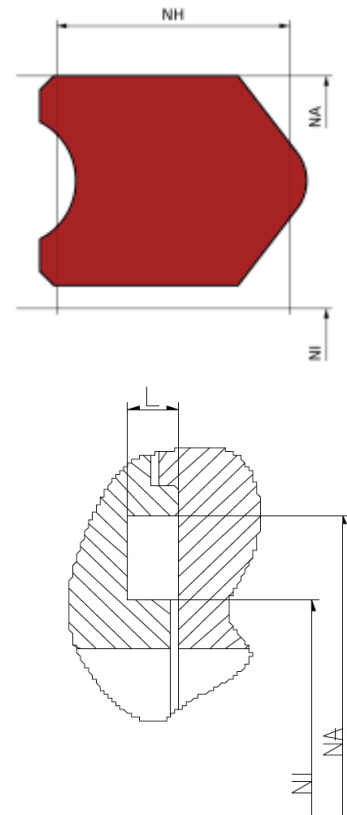
The static seal XSR35A is a simple designed axial sealing for internal and external pressure of a wide range of static applications. It can be designed for axial and radial sealing.

Features:

- Simple seal design maintain low costs.
- Variable dimesions to be used also in special dimensioned grooves.
- Sealing over a wide range of pressures, temperatures and tolerances.
- Wide application ranges.
- Simple mounting.
- Compact and simple grooves.
- Easy and cost saving constructions possible.

Application:

Static sealing (e.g. flanges)



Seal housing recommendation:

Tolerances	[mm]		
L < 10 mm	+0.2		
L ≥ 10 mm	+0.3		
Ø NA	H8		
Ø NI	f7		

Surface roughness	Rtmax [μ]	Ra [μ]
Bottom of groove	≤ 6.3	≤ 1.6
Face of groove	≤ 15	≤ 3

Sliding surface	Rtmax [μ]	Ra [μ]
	≤ 6.3	≤ 1.6

Installation:

Snap-in installation